

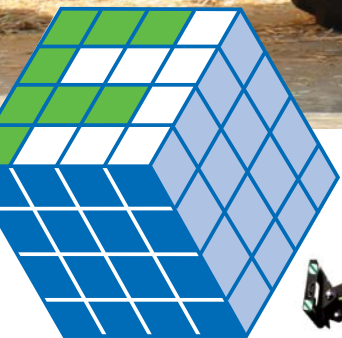
## MIDDLE RANGE

7.30 - 7.35 - 7.45 - 8.40 - 9.30 - 11.35



# FARESIN

INDUSTRIES



## TELESCOPIC HANDLERS AGRICULTURAL LINE

### Middle Range

Available configurations: GLS / VPSe  
Maximum lifting capacity 3.5t to 4.5t  
Maximum height 7.0m to 11m



The Middle Range has 24 configurations making this range ideal when your working environment calls for a ductile machine that, thanks to new and innovative technologies, ensures maximum productivity, operator comfort and high performance.

Nothing is more important to us than your safety.

QLD LOGANHOLME - BEAUDESERT - DALBY - GOONDIWINDI  
NSW MOREE - INVERELL - COONAMBLE - WARREN - DUBBO - RUTHERFORD  
VIC TAREE - MACLEAN - WAGGA WAGGA - TAMWORTH  
SA WODONGA - MILDURA  
WA PINNAROO - LOXTON  
ESPERANCE - ALBANY - GNOWANGERUP

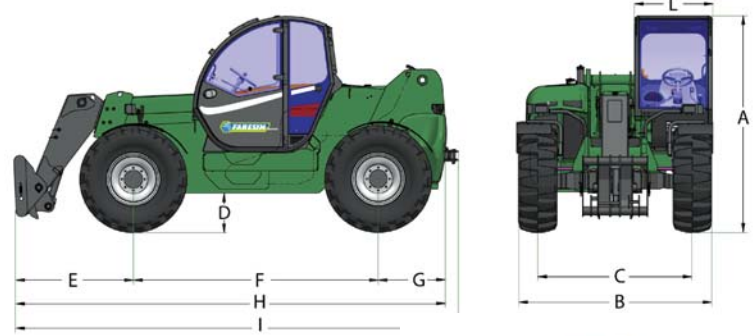
For more information on our Faresin range of products contact:

1300 FARESIN (327 374)  
[www.faresinindustries.com.au](http://www.faresinindustries.com.au)

Images for illustration purposes only. All information contained is subject to change without notice.



DIMENSIONS	7.30	7.35	7.45	8.40	9.30	11.35
A. Height	2540	2540	2540	2540	2540	2540
B. Width	2368	2368	2368	2368	2368	2368
C. Gauge	1900	1900	1900	1900	1900	1900
D. Ground clearance	390	390	390	390	390	390
E. Front overhang	1008	1008	1008	1426	1997	1391
F. Pitch	2950	2950	2950	2950	2950	2950
G. Rear overhang	821	821	821	821	821	821
H. Length without tow hitch	4779	4779	4779	5197	5768	5162
I. Length with tow hitch	4849	4849	4849	5267	5838	5232
L. Cabin width	960	960	960	960	960	960



MODELS	7.30	7.35	7.45	8.40	9.30	11.35
<b>WEIGHT</b>						
Maximum total unladen weight (kg)	8050	8050	8650	8800	8850	9150
<b>SPECIFICATIONS</b>						
Number of extracting sections	1	1	1	1	1	2
Max capacity (kg)	3000	3500	4500	4000	3000	3500
Max lifting height (m)	7,1	7,1	7,1	8	9	10
Max horizontal boom extension (m)	3,6	3,6	3,6	4,5	5,5	6,5
Boom extension at max height (m)	0,2	0,2	0,2	0,4	0,8	1,1
Swinging angle of forks (°)	144	144	144	144	144	144
<b>TANK CAPACITY</b>						
Hydraulic oil tank (l)	150	150	150	150	150	150
Diesel oil tank (L)	120	120	120	120	120	120
Hitch	EURO	FH	FH	FH	FH	FH

CONFIGURATION	GLS	VPSe
Transmission	Hydrostatic with mechanical gearbox up to 40 km/h	Continuous Variation at 40 km/h
Engine (kW/HP)	103/140 Deutz Stage IIIA	103/140 Deutz Stage IIIA
Post-treatment system	n/a	n/a
Service pump (l/min)	load sensing 152@250 bar	load sensing 152@250 bar
Towing force (daN)	up to 7920	up to 11190
Front and rear LED lights	standard	standard
Ecofast	standard	standard
Creep	standard	standard
Floating boom	standard	standard
Boom suspension	standard	standard
Pneumatic/hydraulic trailer brakes	optional	optional
Front constant flow	standard	standard
Cabin	Queen Cab	Queen Cab
Air conditioning	standard	standard
Joystick	hydraulic electro-proportional	hydraulic electro-proportional
Manual 6-way diverter	standard	standard
Rear hydraulic connection with dual electro proportional effect	standard	standard
Rear trailer lights socket	optional	optional
Engine water pre-heating	optional	optional
Quick coupling	standard	standard
Electric 6-way diverter with PEB	optional	optional
PEB	optional	optional
Tyres 405/70 - 20"	optional	optional
Tyres 405/70 - 24"	standard	standard
Pneumatici 445/70 - R24"	optional	optional
Wheels External Turning Radius	4150 (405/70-24")	4150 (405/70-24")
Version HS 40 km/h	standard	standard



**Nothing is more important to us than your safety.**

For more information on our Faresin range of products contact:

**1300 FARESIN (327 374)**

[www.faresinindustries.com.au](http://www.faresinindustries.com.au)